

## GENERAL

The room temperature when installing the floor must be between +18°C and 25°C, and the relative humidity in the premises is recommend to be between 25 % and 70 %. The flooring material must be acclimatised in the room for at least 24 hours before installation. The room temperature must be maintained for at least 48 hours after installation. If under-floor heating is installed, LT Click may be expo-sed to max. +27°C and the subfloor must be flat and stable.

## SUBFLOOR

Luxury Tiles Click can be installed on most substrates, which must be clean, sufficiently dry and firm, free of yield or movement, free of cracks and flat (max 3mm per 2 metre and max 1.2mm per 25cm).

For a concrete substrate, the max. RH is 85 % during installation, measured in accordance with the current industry standard. Any dust or loose particles must be carefully removed. Any stains or spills from paint, oil or similar must be removed. Any unevenness in concrete floors must be levelled. Levelling compound/filler must be sufficiently firm for the area of application in the premises.

## INSTALLATION

Measure the area to be installed and decide on the direction of installation. The width of the tile on the last row must be no less than approx. 50 mm. If so, adjust the width of the first row. Install the floor without adhesive: LT Click shall allways be installed so it is a floating construction. Allow an expansion gap around the whole outer border, i.e. also for pipes, stairs, pillars, door frames and thresholds. Expansion gap and maximum installation area is:

### LT Click 6mm

Max area 500 sq.m., max length or width is 25m. Expansion gap 5-7mm with length/width of 0-10m and 7-10mm with length/width 10-25m.

### LT Click 5mm

Max area 225 sq.m., max length or width is 15m. Expansion

gap 5-7mm with length/width of 0-10m and 7-8mm with length/width 10-15m.

In rooms with quadratic areas (L, F, T, U shapes), separate the areas using an expansion joint, especially by door openings. If you have any questions, please contact your dealer for further information. You can use the floor immediately after installation. The strips must be secured to the wall, never to the floor.

## MISCELLANEOUS

Colour matching between individual tiles can only be guaranteed for tiles with the same production number (see production number on each pack). Always check that all packs have the same production number before installation. We recommend that the tiles be installed in the same direction, in accordance with the mark/arrow on the reverse side of the tile.

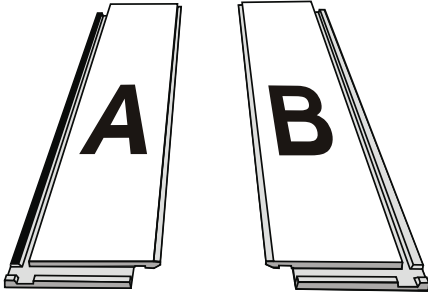
Despite the fact that all material is inspected carefully before delivery, faults can occur. Any deviations (damaged or incorrect floor tiles) must be reported immediately to Kährs and must not be installed, but must be set aside before installation. If you are in any doubt before installation, always consult us. Any returns must always be approved by Luxury Flooring, so contact us to make sure they are processed correctly.

Office chairs that are to be used on Luxury Tiles Click must be fitted with soft type W castors in accordance with DIN 68131. Also note the firmness requirement for the substrate. Rubber wheels, rubber pads, printing ink from plastic, etc. can discolour the floor and leave permanent marks. Always use pads on furniture to protect the floor against surface damage, scratches, etc.

If construction activity is to continue, place protective covering on newly-installed floors. Do not tape the protective cover directly to the floor. The adhesive on the tape can have a negative effect on the floor and some types of adhesive are very difficult to remove.

Please feel free to contact us for additional information.

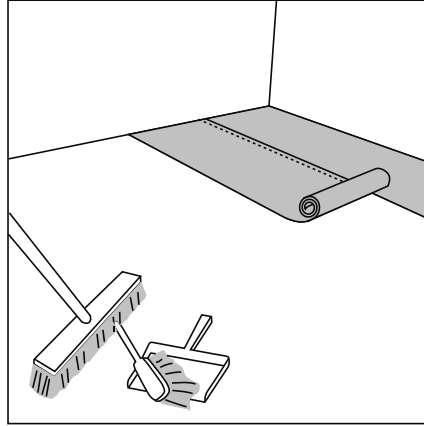
**INSTALLATION GUIDE**



**A and B Panels**

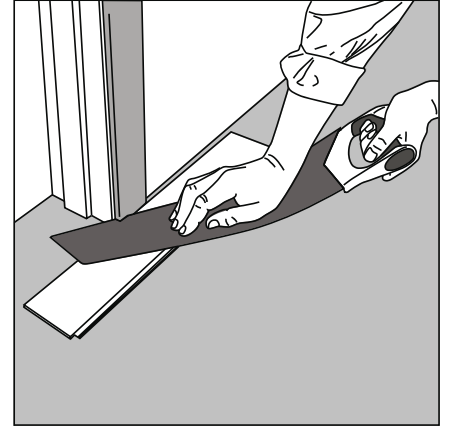
Two different types of panels are used to install the herringbone pattern.

These panels are referred to as A- and B-panels. Please separate A and B panels into 2 separate stacks prior to commencing with the installation.

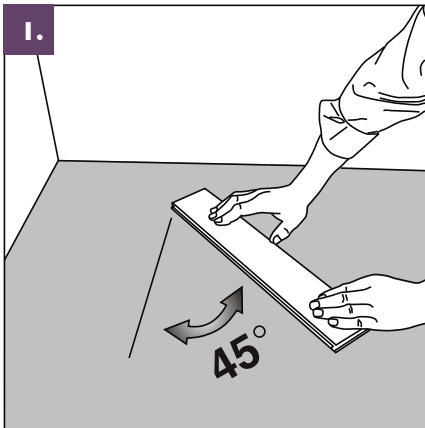


**Preparations:**

Check the panels and make sure that the surface has no transport damaging before you start. After cleaning the subfloor you can roll over the vapour barrier and underlay material. The vapour barrier has to overlap minimum 20cm.

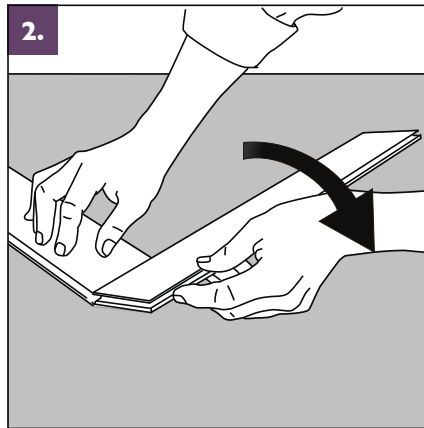


Door mouldings and skirting's: Put a panel (with the decorative side down) next to the door moulding and saw as shown in the figure. Then slide the panel under the moulding.



**1. Getting started.**

Choose a wall to start at and begin installing at the left corner. Start with an A-panel and place it with its long side marking facing the left wall at an angle of 45°. Make sure that the distance between the left wall and the panel is less than the length of one panel.

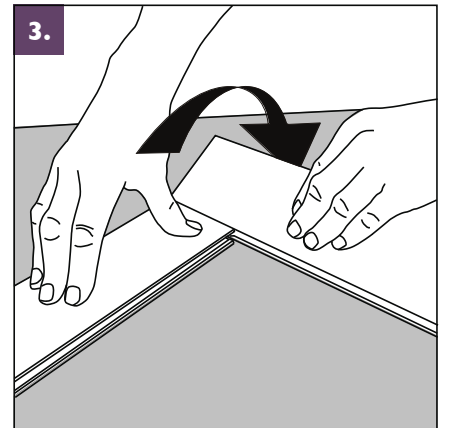


**2. Connect next panel**

Continue with a B-panel. Press the long side of the B-Panel at an angle against the short side of the previous installed A panel.

Fold down the B-panel flat to the floor to lock the panels tightly together.

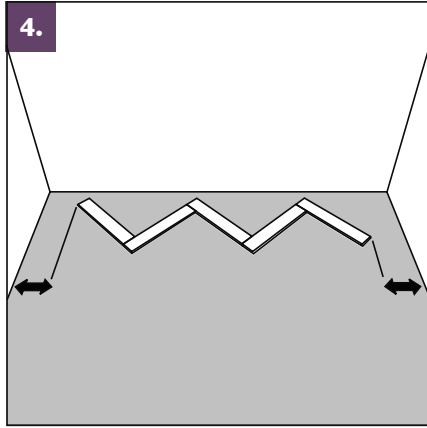
Check that the grooves on the two panels form a continuous line.



**3. Connect additional panels**

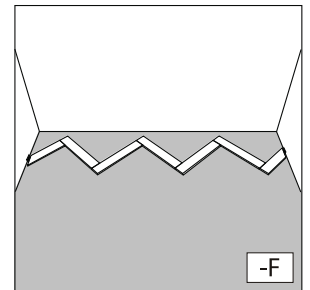
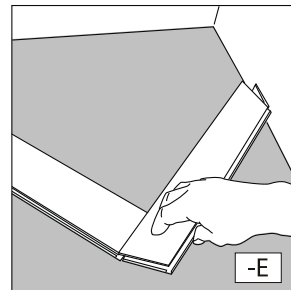
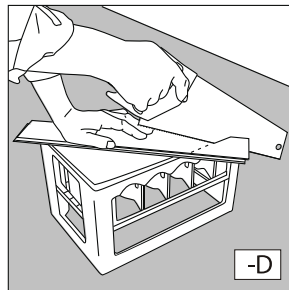
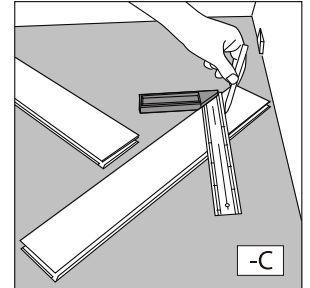
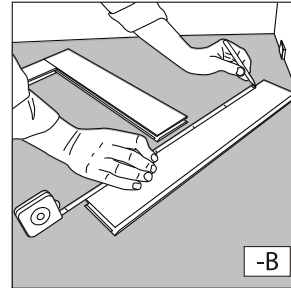
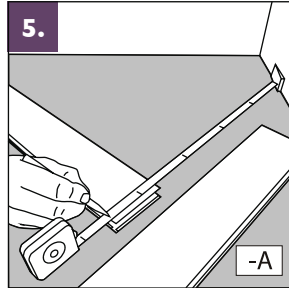
Next panel is an A-panel. Again, press the long side of the new A-panel at an angle against the short side of the previous B-panel and fold down. Continue like this with as many panels as may fit along the starting wall.

**INSTALLATION GUIDE**



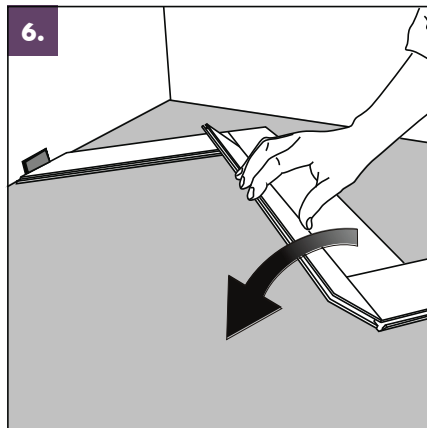
**4. Center the first row**

Check that the first row of panels is centered along the starting wall. Make sure that the distance to the walls on both sides are less than the length of one panel. If not, add a panel at the right side.



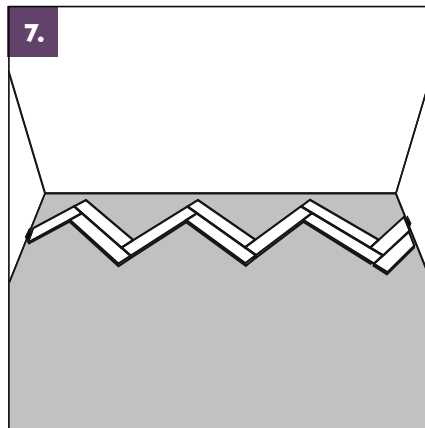
**5. Cut the end panels to size**

Measure and cut the end panels to size using a fine-toothed saw. Finish the first row with the cut end panels. Make sure that you leave a gap of 10mm to each wall.



**6. Start the second row**

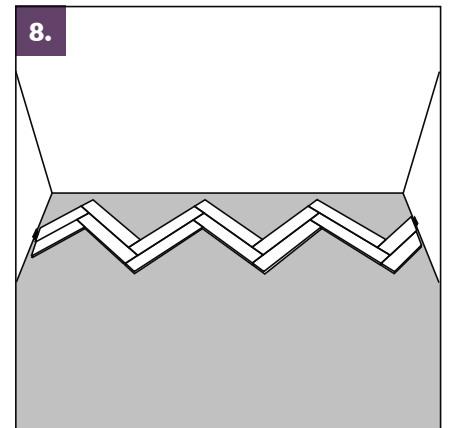
Start the next row with an A-panel. Place the new panel against the previous row and fold down.



**7. Install the A-panels**

Continue from the left to the right and install all the A-panels in the second row.

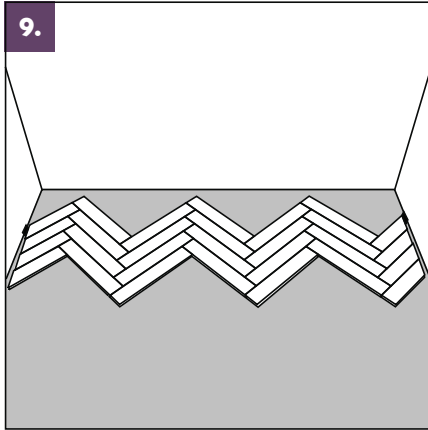
Finish with a piece of panel cut to size (step 5).



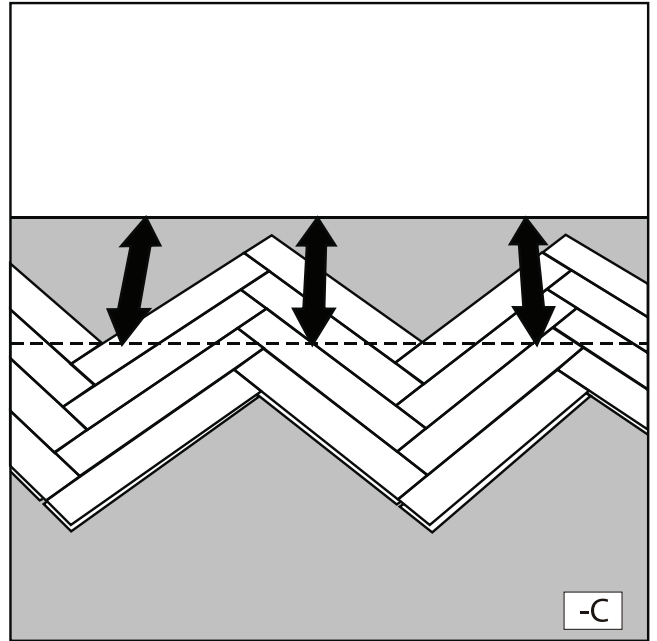
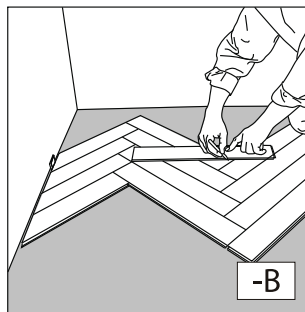
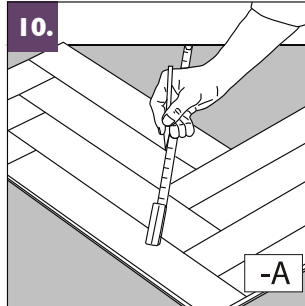
**8. Continue with the B-panels**

Now work in the opposite direction, from the right to the left and install all the B panels in the second row. Finish with a piece of panel cut to size (step 5).

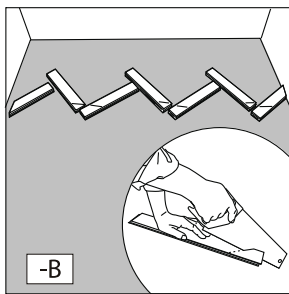
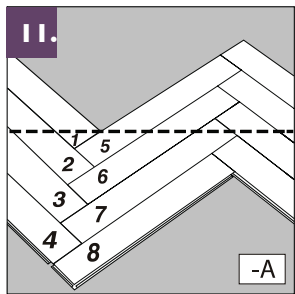
**INSTALLATION GUIDE**



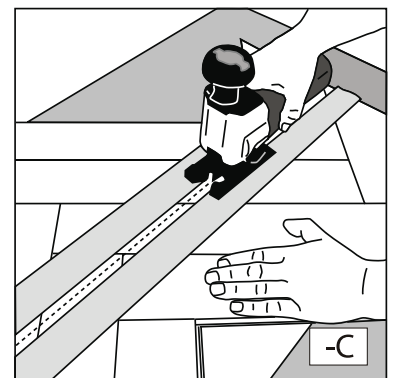
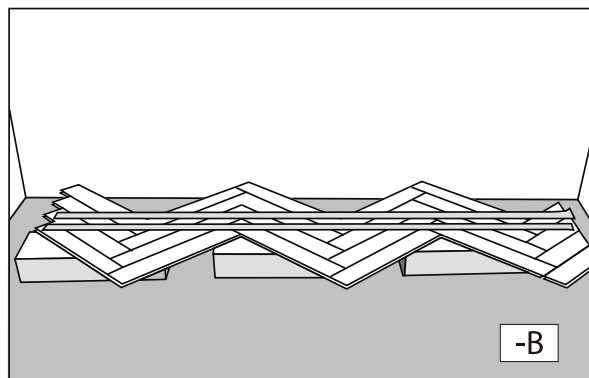
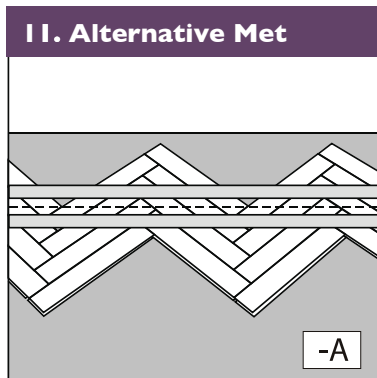
**9. Complete four rows**  
Install additional rows to complete four full rows.



**10. Adjust the starting rows**  
The first four rows have to be cut parallel to the wall. Measure and mark where to cut the floor panels at a fixed / parallel distance to the wall.

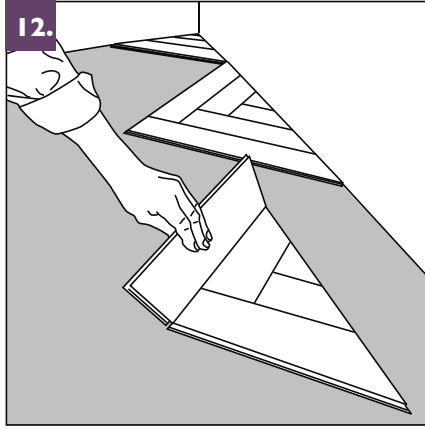


**11. Dismantle and cut**  
Number the panels from 1 to ... . This will allow you to keep the panels in order. Dismantle the panels and cut them to size along the previous marked line.

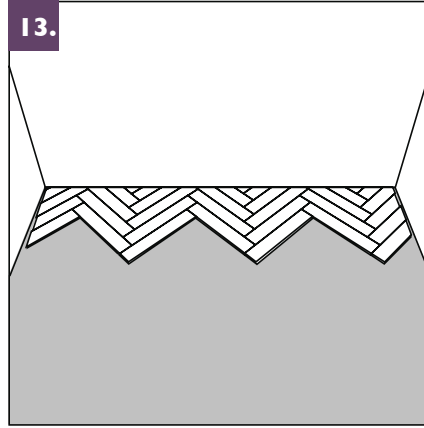


**11. Alternative way to cut the first r**  
Leave the left end-panels uninstalled. Tape along the marked line and place the flooring on top of a few flooring packages. Cut along the marked line. Then put the adjusted rows into place. Complete the first rows by installing the remaining end-panels. Start with the end-panel in the last row and finish at the first row

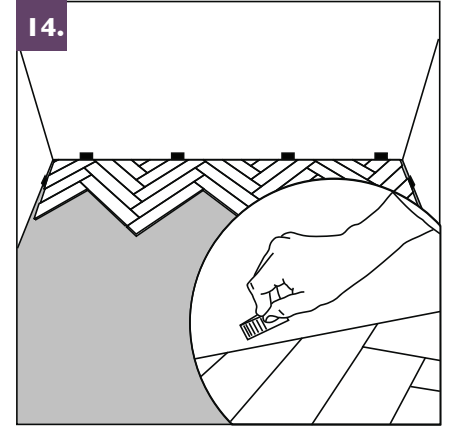
**INSTALLATION GUIDE**



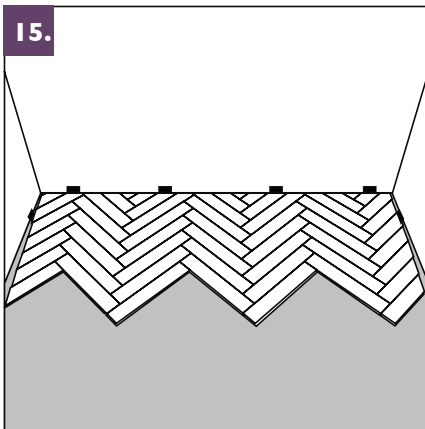
**12. Install the starting triangles**  
Connect the cut starting panels to form triangular shapes, one by one. Start installing the triangles from the left corner. It is recommended to use glue to fix the smallest parts of the triangles into place by applying a small quantity of glue inside the groove.



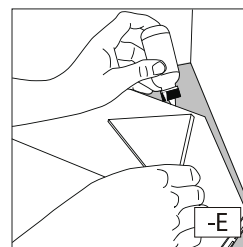
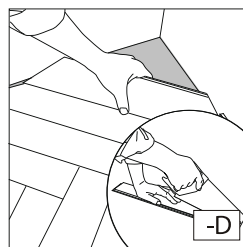
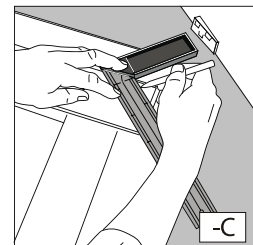
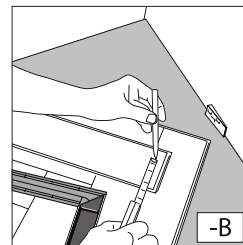
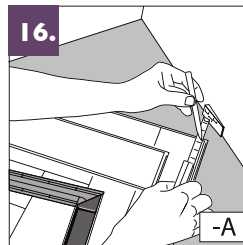
**13. Install a few more rows**  
Connect the triangles by installing a few additional rows of panels. Start each row from the left to the right with the A-panels, finish with the cut piece of panel (step 5) and then install all the B-panels in the row. Finish with the left end panel, cut to size.



**14. Put in spacers**  
Put in spacers between the flooring and the wall to ensure an expansion gap of 10mm

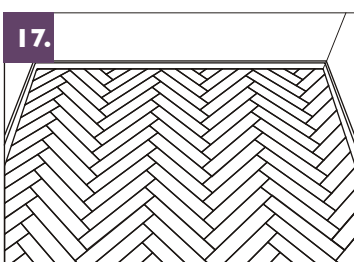


**15. Subsequent rows**  
Start each subsequent row by installing the A-panels from the left to the right and complete the row by laying the B-panels from the right to the left.



**16. Last row**  
Measure and cut the panels in the last row to size.

It is recommended to use glue to install the smallest pieces of panels. Apply a small quantity of glue inside the groove.



**17. Spacers and skirting**  
Remove the spacers and cover the expansion gap with skirting boards or beadings.

**UK WARRANTY**

1. Luxury Floor is responsible for manufacturing defects.
2. Luxury Flooring must be installed correctly according to the outlined above instructions. The warranty covers regular use.
3. Planks showing visible defects should not be used as part of the installation. It is the responsibility of the owner/fitter to deselect these boards at the time of installation. These boards are to be allowed for in the 5% waste tolerance. Boards with visible defects that are installed are excluded from this warranty. Colour and grade de-selection is not allowed for, as this is a personal choice and not a defect in the manufacturing of the product.
4. Always check all boards to ensure the board dimensions are accurate before installing. Off-cut boards should not always be classed as waste, short or longer pieces can both be used around the perimeter of the floor if permitted.
5. LT flooring, is subject to normal wear and shall not be covered by this warranty, i.e. if you don't maintain the floor correctly, the warranty is null and void.
6. Excluded under this warranty are scratches, heavy impacts, humidity, and damage caused by incorrect use or lack of correct maintenance.
7. If you have a defect, which falls under the conditions mentioned in this warranty, you should report this to your dealer in writing within 14 days after detecting the defect. In your letter, you should include a copy of the original invoice.
8. This warranty only relates to the planks supplied, and consequently, it does not include labour costs, the costs of additional material and any other consequential loss.
9. In case of a dispute arising from the Luxury Floor warranty, either party may call upon an independent expert to render binding advice. If this clause is applicable, the cost is to be agreed in writing with all parties involved in advance.
10. Where the Luxury Floor warranty applies, Luxury Floor or its distributors will replace the faulty product. In case the product in question is no longer available, Luxury Floor will ensure replacement of an alternative product of the same quality.
11. This warranty shall apply only to the original owner/ purchaser of the wood floor .

**WARRANTY WILL NOT BE APPLICABLE IN CASE OF:**

1. The floor has not been installed following the correct methods outlined in the instructions by a qualified installer .
2. The faults were noticed and ignored before the floor was installed.
3. Defects and faults having arisen due to dampness or water damage or any other causes as a result of force majeure.
4. Defects and faults have been caused by improper use or negligence and failure to use the product for its intended purpose, as well as having been caused by having disregarded the instructions for installation, use and maintenance.
5. Visual faults having arisen as a result of any deformation of the boards due to changed climate conditions, any variations in colour due to the influence of sunlight and the effects of normal ageing and wear and tear of the finishing coat
6. Stains or mechanical damage to the surface (scratches and dents) resulting from improper treatment during transport, storage and any damage caused by stiletto heels, furniture, stones, sand and pets.

**MANUFACTURING TOLERANCE  
LVT FLOORS ARE A MANY VARIANCES IN COLOUR  
AND DECOR AND CHARACTER IN EACH  
INDIVIDUAL PIECE OF FLOORING, WE ALWAYS  
THEREFORE RECOMMEND YOU WORK FROM 3-4  
PACKS OF FLOORING AT A TIME IN ORDER TO  
GET THE BEST NATURAL COLOUR MIX.. THIS  
PRODUCT IS PRODUCED WITH A  
MANUFACTURING TOLERANCE OF + OR – 1.5%  
ON THE DIMENSION OF THE BOARD AND IN LINE  
WITH SPECIFIED MANUFACTURING GUIDELINES,  
AS SUCH ANY ITEMS OUT OF TOLERANCE  
SHOULD BE DISMISSED AS PART OF THE 5%  
MANUFACTURING TOLERANCE.**